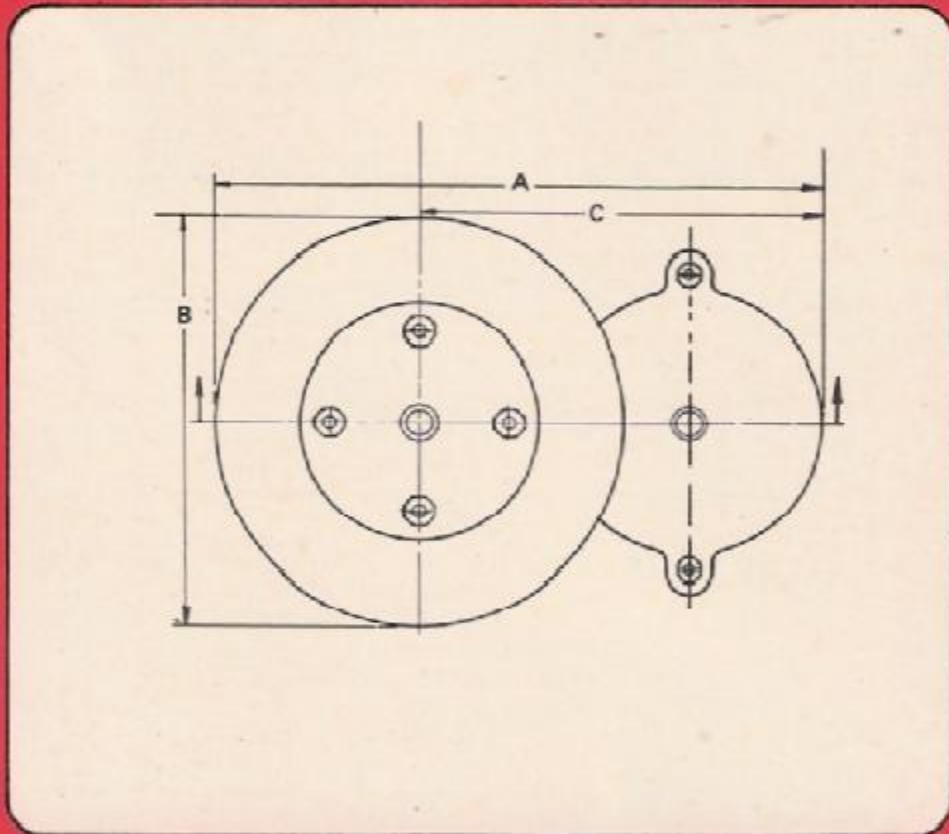
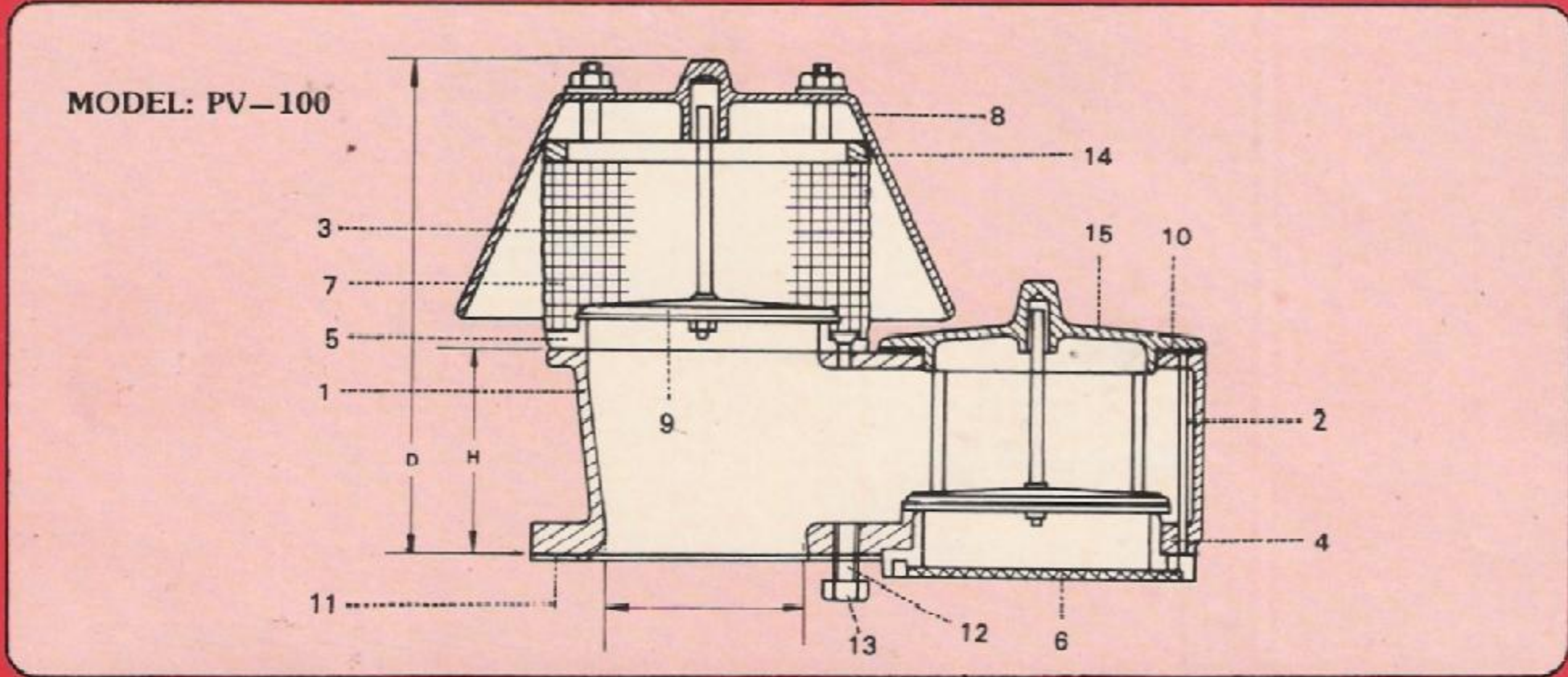




# BREATHER VALVES

## PRESSURE & VACUUM RELIEF VALVES



ITEM NAME	STD. MTL.
1. Body	Alum
2. Guide Post—Vacuum	Alum
3. Guide Post—Pressure	Alum
4. Seat Ring—Vacuum	S.S.
5. Seat Ring—Pressure	S.S.
6. Screen Ring—Vacuum	Alum
7. Screen Ring—Pressure	Alum
8. Hood	Alum/CS.
9. Pallet Assembly Press & Vacc	Alum
10. Gasket 'O' Ring	Syn. Rubber
11. Gasket MTS. Flg.	Graph ASB.
12. Stud	C.S.
13. Hex Nut	C.S.
14. Spacer Ring	Alum
15. Vacuum Cover Assy	Alum

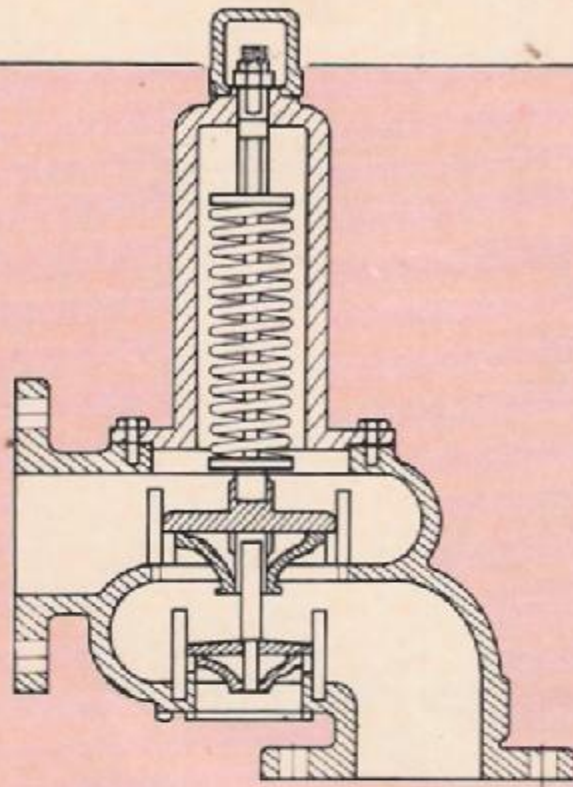
Nominal Size*	A	B	C	D	H
50	250	206	209	195	75
75	409	269	275	215	75
100	500	375	325	350	175
150	619	462	387	431	194
200	762	562	481	525	225
250	994	744	619	669	244
300	1175	887	731	819	244
350	1200	590	755	850	220
500	1250	770	995	900	270

\*Flange Dimensions as per order.

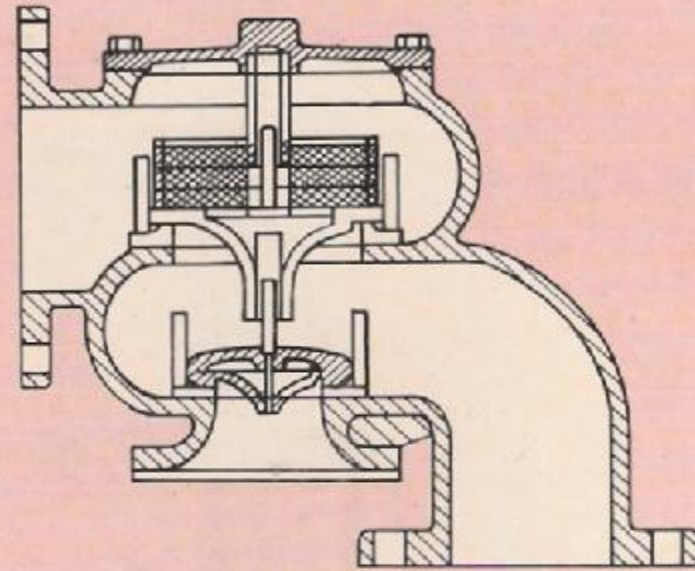
All Dimension are in MM



# PRESSURE & VACUUM RELIEF VALVES



MODEL: PV-1210

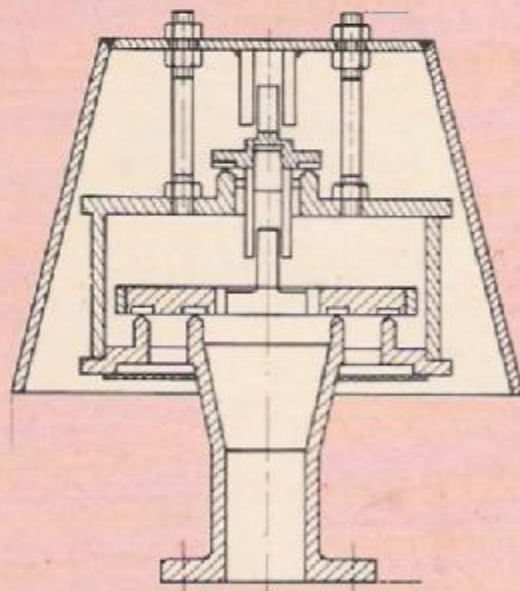


MODEL: PV-1220

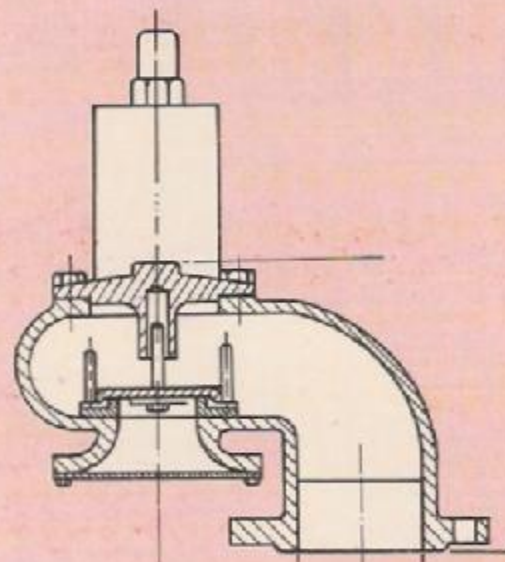
Teleflo Model 1210 valves are designed primarily for pressurised storage vessels or blow-down lines. Material combinations are determined by operating conditions of temperature and corrosive atmospheres. Available as standard in all aluminium, cast iron body, stainless steel trim, or other materials on special order. Spring loading of pressure pallet allows for higher settings than available with dead weight types, standard non-metallc seat

inserts are Neoprene and Teflon.

Teleflo Model 1220 valves are designed to vent low pressure vessels. Material combinations are determined by operating conditions of temperature and corrosive atmospheres. Available as standard in all aluminium, Cast Iron body, stainless steel trim or other Materials, on special order. Standard non-metallc Seat inserts are Neoprene and Teflon.



MODEL: PV-1230



MODEL: PV-1240

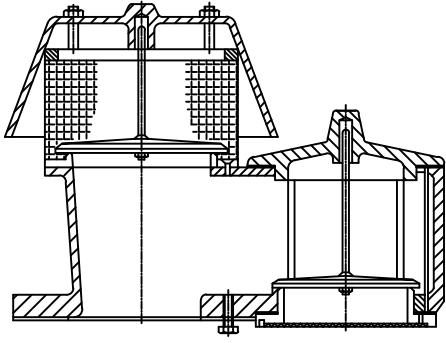
## Features

- Connection-Flanged
- Pallets of Alor SS 304
- Tank accessory suitable storage tanks of chemicals & hydrocarbons.
- Seat by dead weigh pallets of C.I. Al or SS 304
- Suitable for Low Pressures and Low Vacuum.

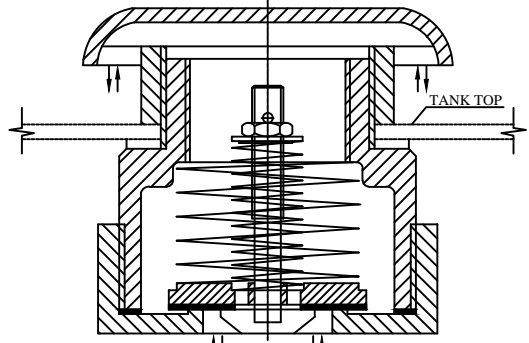
- This model Similar to model PV 1220, is suitable only Vacuum service. The disc is either weight loaded or spring loaded.



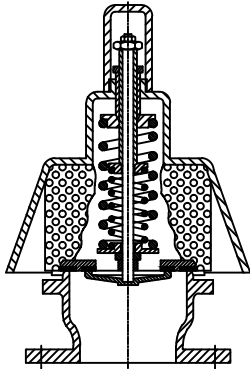
# BREATHER VALVES FOR TANKS



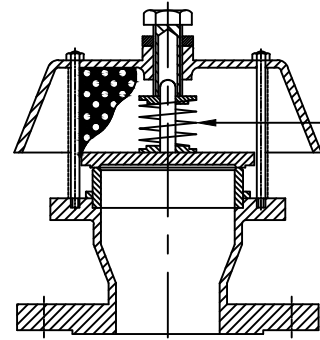
BREATHER VALVE ( MODEL : PV - 100 )  
(PRESSURE & VACUUM RELIEF VALVE)  
( SIZE : 1" TO 20" )



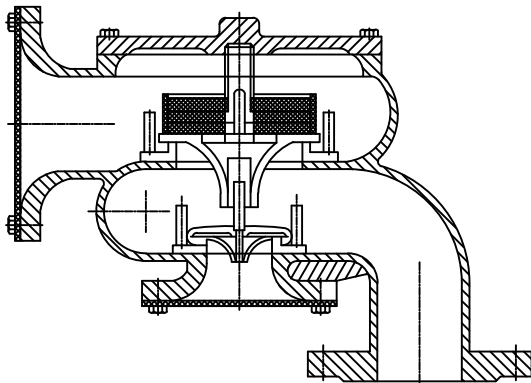
COMPACT SPRING LOADED PRESSURE VACUUM VALVE  
( MODEL : PV - 110 )  
( SIZE : 1" TO 3" SCREWED )



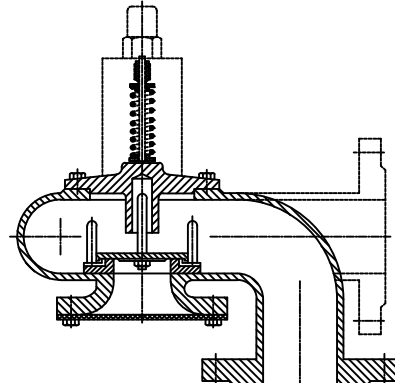
TYRUS VALVE ( MODEL : PV - 120 )  
(PRESSURE & VACUUM RELIEF VALVE)  
( SIZE : 1" TO 6" )



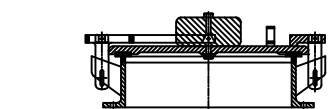
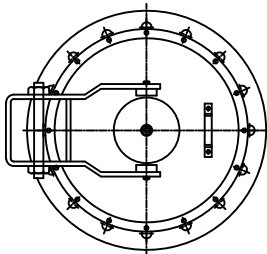
PRESSURE RELIEF VALVE ( MODEL : P - 100 )  
( SIZE : 1" TO 20" )



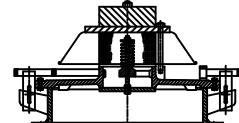
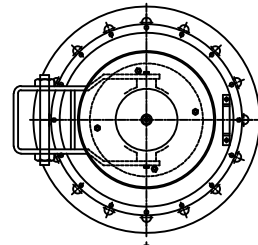
VACUUM BREAKER ( MODEL : PV - 130 )  
( SIZE : 1" TO 20" )



VACUUM BREAKER ( MODEL : V - 100 )  
( SIZE : 1" TO 12" )



EMERGENCY VENT ( PRESSURE RELIEF )  
( MODEL : EV - 100 )  
( SIZE : 1" TO 20" )



EMERGENCY VENT ( PRESSURE & VACUUM RELIEF )  
( MODEL : EV - 110 )  
( SIZE : 12" TO 24" )

# BREATHER VALVE



**TELEFLO**

INDIA PVT. LTD.  
CHEMBUR, MUMBAI 400 071.

DRN	WAHID	CHD/APD	KS
SCALE	NTS	DRN NO	BRV/1043/2008