

**SLIDE—'O'—LEVEL:**

# FLOAT & CORD INDICATOR

**SLIDE—'O'—LEVEL:**

**FLOAT AND CORD LEVEL INDICATOR** manufactured by us is ideal for installation on all storage tanks or reservoirs. We offer a wide combination of materials of construction to suit every service required in process industries. The standard model is provided with float, guide wire, float wire, tensioning assemblies, pair of pulley housing, interconnecting pipes and scale board with target and pointer. Scale graduations provided as required by you. The minimum distance between two graduations can be as low as 10 mm.

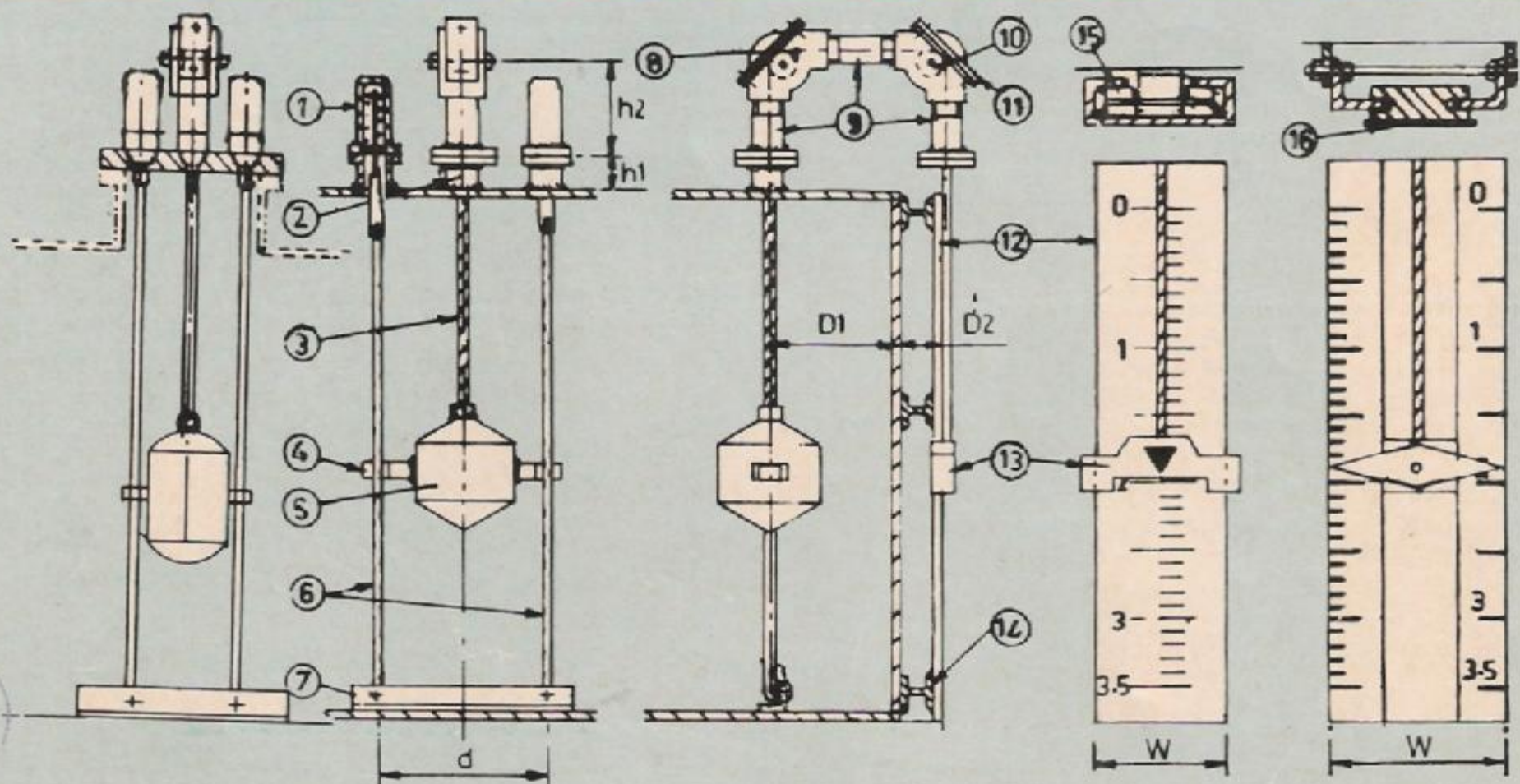
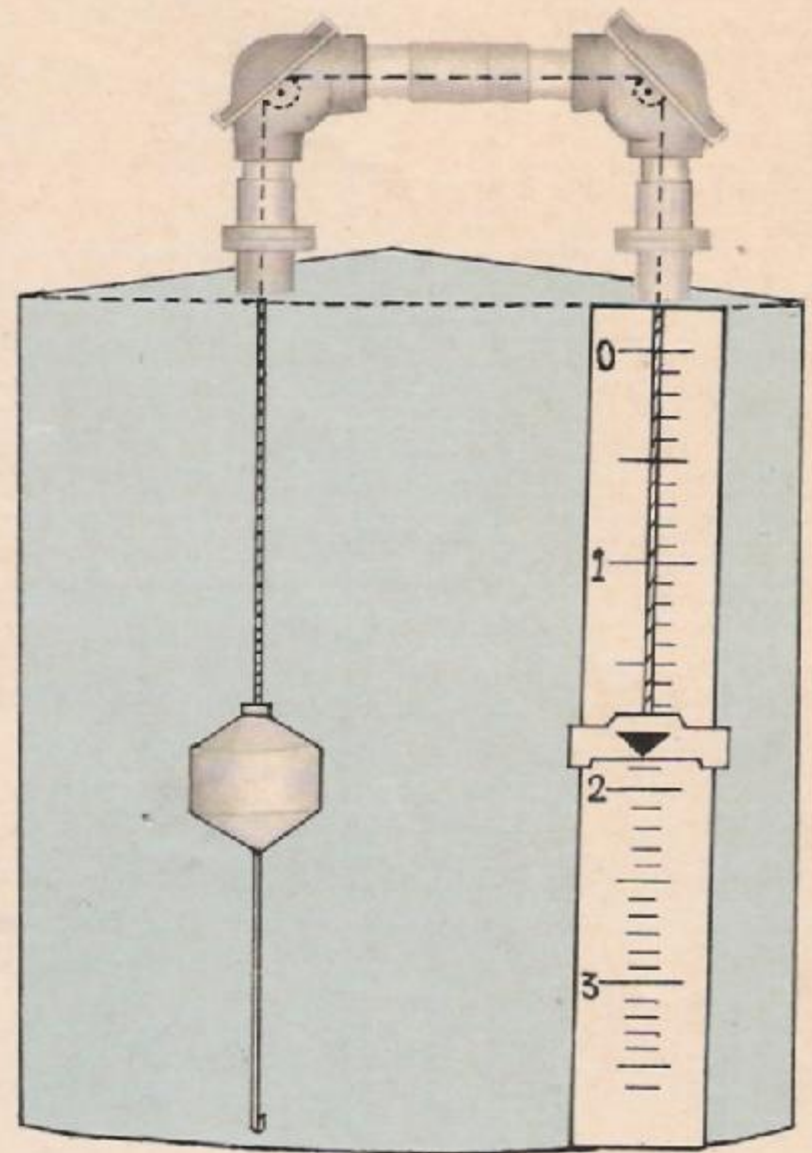


Fig-1 Fig-2

MODEL FC 100 MODEL FC 200

d Centre of Guide Wires (300 mm)  
 D1 Centre of nozzle from outside  
 of tank 400 mm (min)  
 D2 Distance of board from side  
 of tank 140 mm (min.)

h1 Nozzle height 100/150 mm  
 h2 Height of pulley from nozzle  
 200 (min)  
 w Width of Scale 135 mm (min.)

16.	Pointer	Aluminium/MS	TIC
15.	Target Roller	NYLON	TIC
14.	Board Support or Cleats	M.S.	CLIENT
13.	Target	CI/MS	TIC
12.	Scale Board	MS/ALUMINIUM	TIC
11.	Inspection Cover	ALUMINIUM/MS	TIC
10.	Pulley & Shaft	SS304/SS316/ALUMINIUM	TIC
09.	Interconnecting Pipe	G.I.PIPE	TIC
08.	Pulley Housing	ALUMINIUM/MS	TIC
07.	Anchor Bar	MS/SS304/SS316 ETC	CLIENT
06.	Guide Wire	GI/SS304/SS316/NYLON	TIC
05.	Float	MS/SS304/SS316/PP/PVC/ TEFLON LINED	TIC
04.	Float Guide	FRP LINED/RUBBER LINED	TIC
03.	Wire Rope	GI/SS304/SS316/NYLON	TIC
02.	Tank Nozzles	—	CLIENT
01.	Spring Tensioning Assy	STEEL	TIC
ITEMS	Description	Material Std.	Provided by

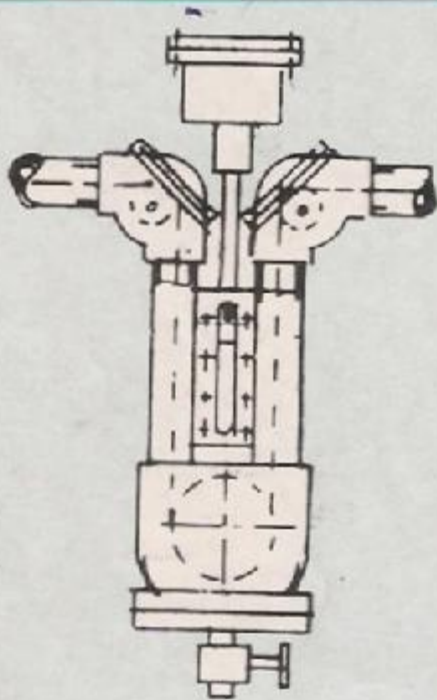


Fig.3

#### VAPOUR SEALED PULLEY HOUSING:

The Standard arrangement consists of pulley enclosed in an Aluminium housing as shown above. The bearings are TEFLON or Stainless steel for smooth movement of rope. Inspection cover is provided for checking the proper alignment of rope in the pulley groove. In applications where the tank is under nitrogen blanket or the liquid is volatile, we can provide pulley housing with vapour seal arrangement as indicated in the figure. The rope is made to pass through a sealing liquid like water oil which will ensure no loss of vapour or gas from the tank to the atmosphere.

#### MAGNETIC FOLLOWER TYPE:

If the pressures in the tank are higher a magnetic follower type indicator is more suitable. The target with magnet is made to move in a sealed chamber, which causes a magnetic follower to move alongside a scale external to the chamber indicating the level of liquid

OPEN PULLEY ARRANGEMENT  
(can be used for Indoor Tank)

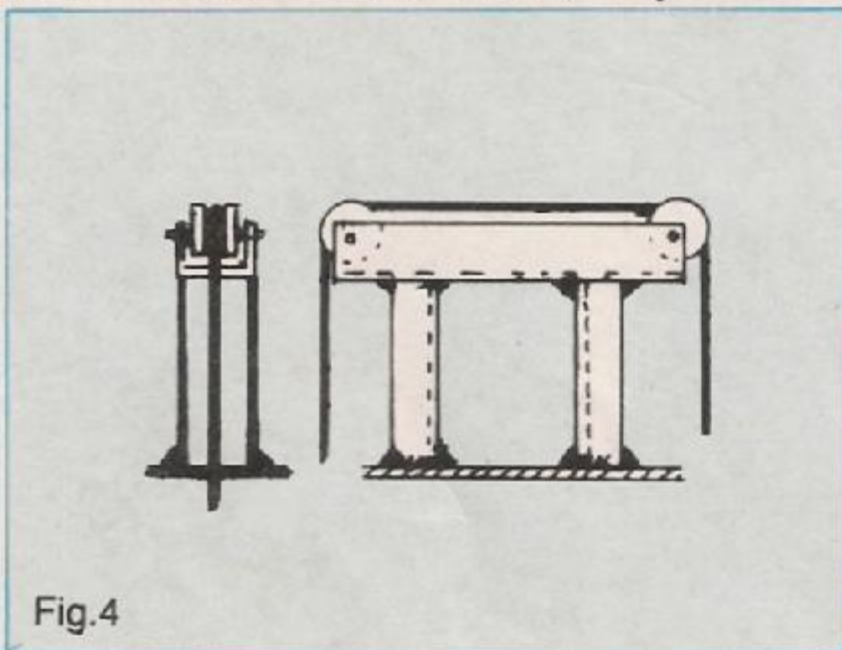
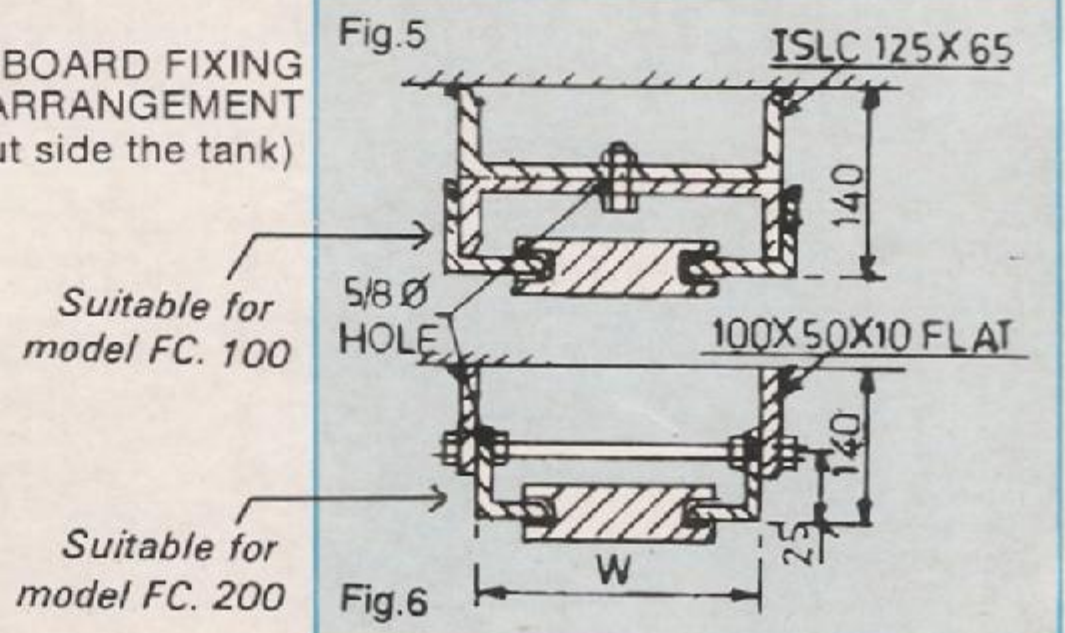


Fig.4

SCALE BOARD FIXING  
ARRANGEMENT  
(out side the tank)



**INSTRUMENT CO.** NO. 5, SHIVAM INDUSTRIAL ESTATE,  
GOVANDI, BOMBAY—400 088. TEL: OFF: 5510298, 5515787 FAC: 5551829

